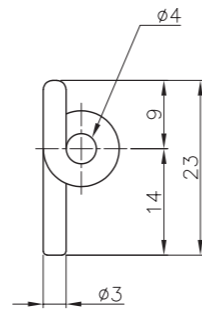
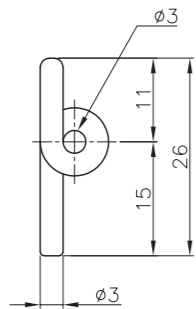


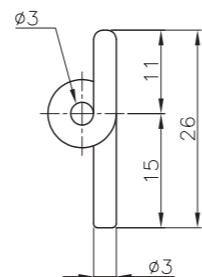
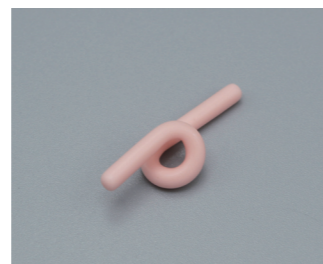
NAME	Snail Guide
NO	<b>R322-2015</b>
MAT'L	Al <sub>2</sub> O <sub>3</sub> 99%
WEIGHT	0.8g



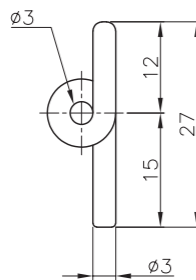
NAME	Snail Guide
NO	<b>R323-4014</b>
MAT'L	Al <sub>2</sub> O <sub>3</sub> 99%
WEIGHT	1.1g



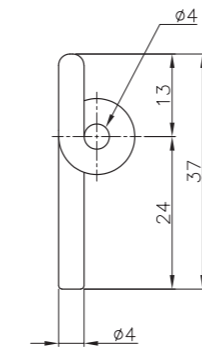
NAME	Snail Guide
NO	<b>R326-3015</b>
MAT'L	Al <sub>2</sub> O <sub>3</sub> 99%
WEIGHT	1.3g



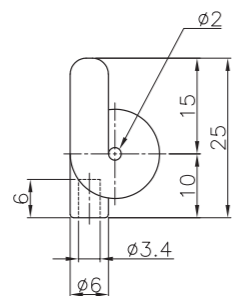
NAME	Snail Guide
NO	<b>L326-3015</b>
MAT'L	Al <sub>2</sub> O <sub>3</sub> 99%
WEIGHT	1.0g



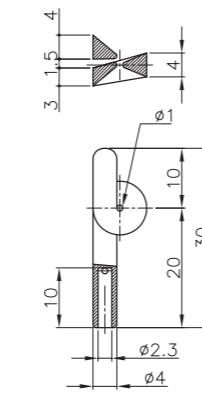
NAME	Snail Guide
NO	<b>L327-3015</b>
MAT'L	Al <sub>2</sub> O <sub>3</sub> 99%
WEIGHT	1.2g



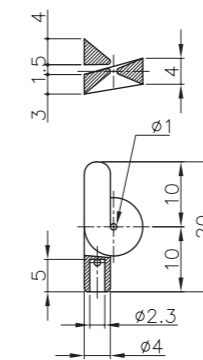
NAME	Snail Guide
NO	<b>R437-4024</b>
MAT'L	Al <sub>2</sub> O <sub>3</sub> 99%
WEIGHT	2.9g



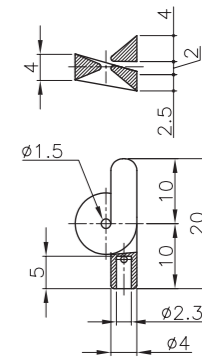
NAME	Snail Guide
NO	<b>R625-2010</b>
MAT'L	Al <sub>2</sub> O <sub>3</sub> 99%
WEIGHT	4.7g



NAME	Snail Guide
NO	<b>R430-1020</b>
MAT'L	Al <sub>2</sub> O <sub>3</sub> 99%
WEIGHT	1.9g

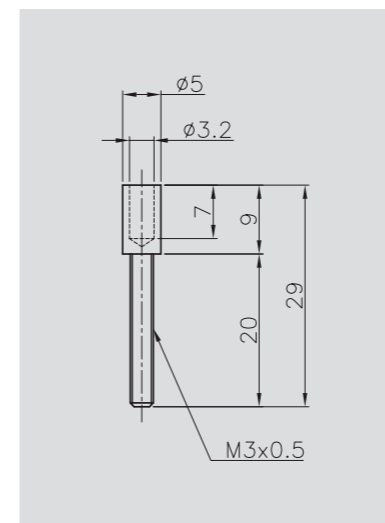


NAME	Snail Guide
NO	<b>R420-1010</b>
MAT'L	Al <sub>2</sub> O <sub>3</sub> 99%
WEIGHT	1.2g

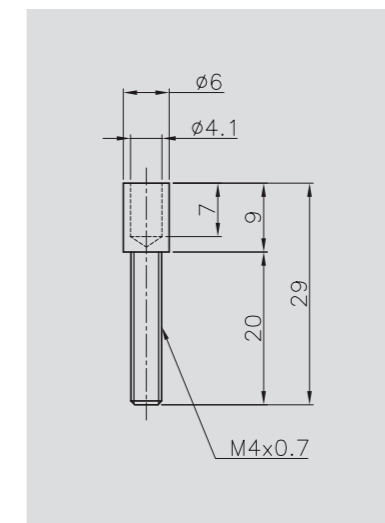


NAME	Snail Guide
NO	<b>L420-1510</b>
MAT'L	Al <sub>2</sub> O <sub>3</sub> 99%
WEIGHT	1.1g

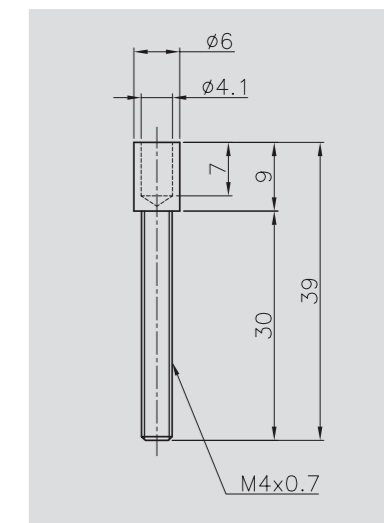
**HOLDER**



NAME	Holder
NO	<b>3 x 20</b>
WEIGHT	1.5g



NAME	Holder
NO	<b>4 x 20</b>
WEIGHT	2.6g



NAME	Holder
NO	<b>4 x 30</b>
WEIGHT	3.3g